

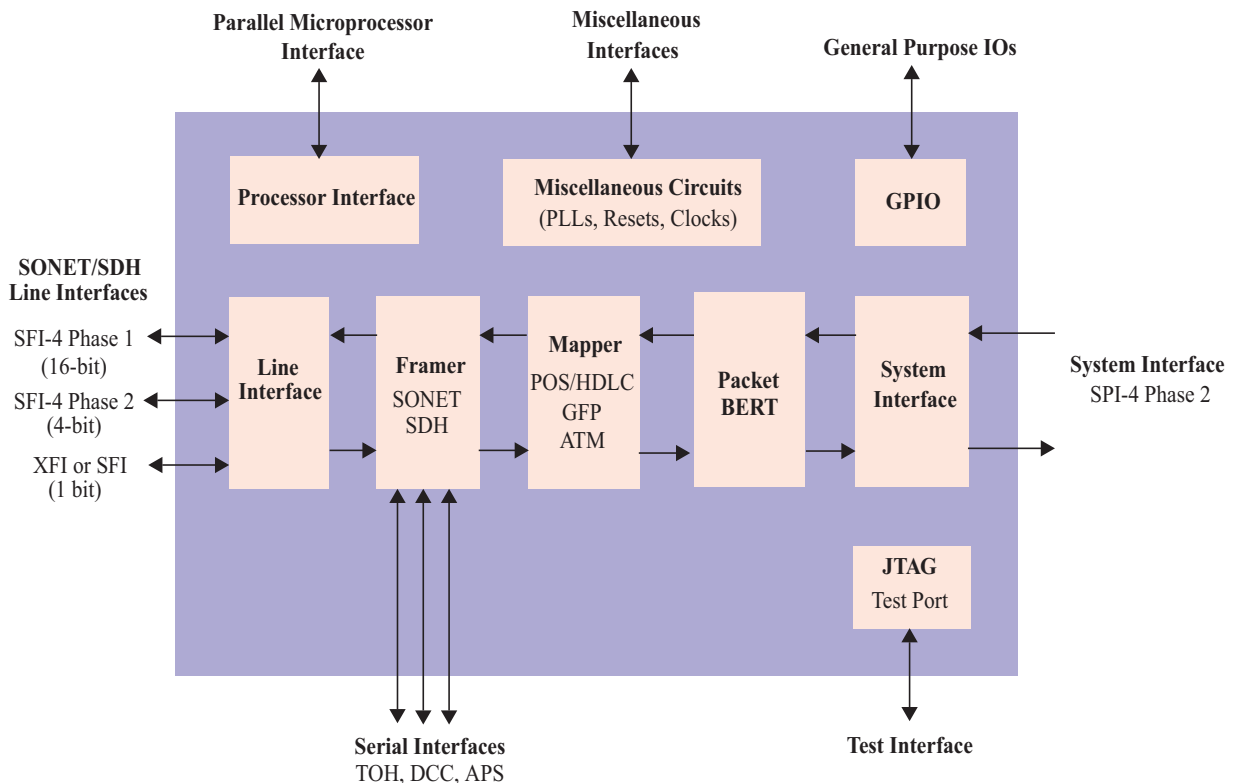


#### Product Description

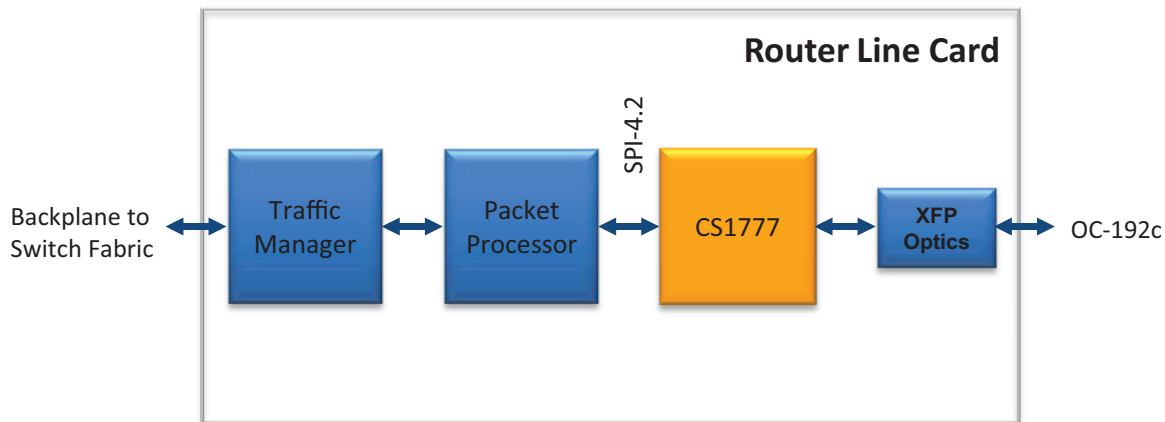
The Cortina Systems<sup>®</sup> CS1777 OC-192c SONET/SDH Framer (CS1777 Framer) with Integrated SerDes is an integrated SerDes/Framer combining POS, GFP, and ATM functionalities. It provides a choice of line interfaces used in Router and Switch applications.

#### Features

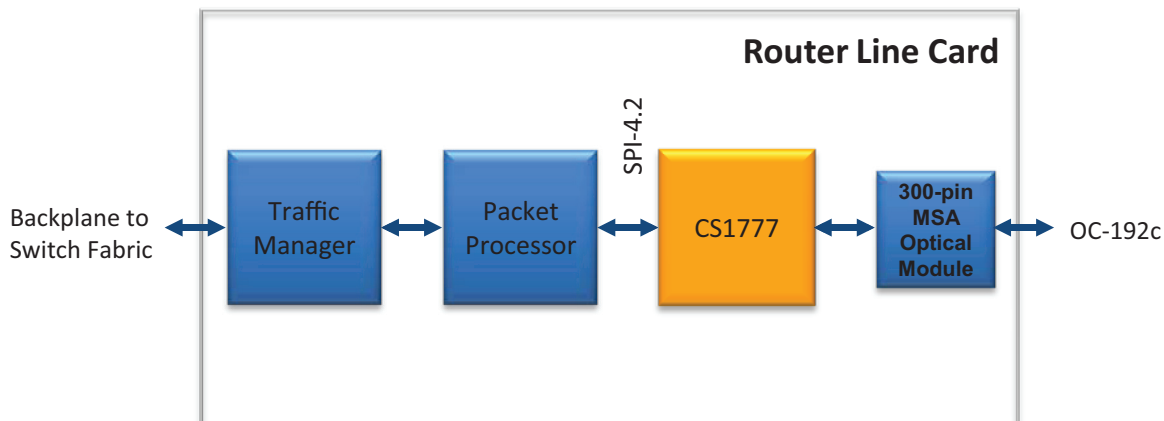
- SONET/SDH STS-192c/48c Processor supports:
  - Section, Line and Path processing, compliant with SONET/SDH standards (GR-253-CORE and G.707)
  - DCC and APS processing and access to TOH/POH bytes via serial interfaces and microprocessor interface.
  - STS-192c and STS-48c modes
  - STS-192 can also be channelized to 4x STS-48c in POS/HDLC and ATM modes
  - STS-48 can also be channelized to 4x STS-12c in POS/HDLC and ATM modes
- Mappers provided for:
  - GFP
  - POS
  - ATM
- Low Power
  - .13  $\mu$ m CMOS technology
  - 4.5 W with XFP, 10 Gbps
  - Power supplies of 2.5 V and 1.2 V
- SPI4.2 System Interface
  - Compliant with OIF-SPI4-02.0
  - Supports Store and Forward feature in the Egress side
  - Full rate and for OC-48 also quarter rate mode supported
  - Supports dynamic alignment
- Line Interfaces
  - XFP 10 Gbps Serial
  - SFP 2.5 Gbps Serial
  - 16-bit SFI4.1 (OIF Compliant)
  - 4 bit SFI4.2
- Standard microprocessor and JTAG Interface
  - Motorola\* and Intel\* compatible protocol
  - FCBGA 33  $\times$  33 mm
  - Designed for 10G serial interface
  - 400 signal balls, 1020 total balls



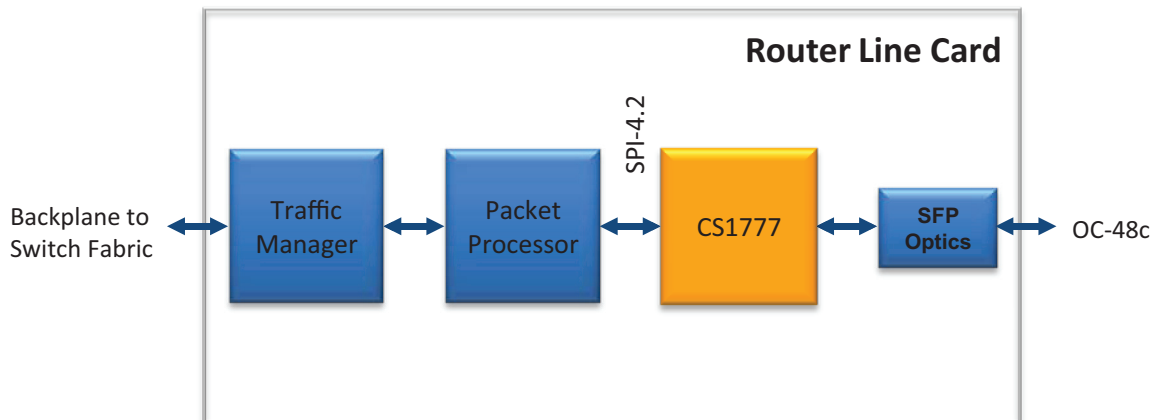
Line Card with XFP Optics



Line Card with 300-Pin MSA Optics



Line Card with SFP Optics



Cortina in Communications

Cortina is a leading supplier of intelligent communication solutions through continuous innovations in advanced port processing and intelligent port connectivity to the Core, Metro, Access, and Enterprise Market Segments. With our state-of-the-art high speed analog digital integration, we deliver a wide suite of products that address our customers' performance,

density, and flexibility needs enabling faster time-to-market, longer time-in-market, and increased revenue opportunities. Working closely with our customers to understand their system requirements and anticipate their needs, we are creating the foundation ingredients for new generations of services.

\*Other names and brands may be claimed as the property of others.

