



Product Change Notification

106766 - 02

Information in this document is provided in connection with Intel products. No license, express or implied, by estoppel or otherwise, to any intellectual property rights is granted by this document. Except as provided in Intel's Terms and Conditions of Sale for such products, Intel assumes no liability whatsoever, and Intel disclaims any express or implied warranty, relating to sale and/or use of Intel products including liability or warranties relating to fitness for a particular purpose, merchantability, or infringement of any patent, copyright or other intellectual property right. Intel products are not intended for use in medical, life saving, or life sustaining applications. Intel may make changes to specifications and product descriptions at any time, without notice.

Should you have any issues with the timeline or content of this change, please contact the Intel Representative(s) for your geographic location listed below. No response from customers will be deemed as acceptance of the change and the change will be implemented pursuant to the key milestones set forth in this attached PCN.

Americas Contact: asmo.pcn@intel.com

Asia Pacific Contact: apacgccb@intel.com

Europe Email: eccb@intel.com

Japan Email: jccb.ijkk@intel.com

Copyright © Intel Corporation 2006. Other names and brands may be claimed as the property of others.

Celeron, Centrino, Intel, the Intel logo, Intel Core, Intel NetBurst, Intel NetMerge, Intel NetStructure, Intel SingleDriver, Intel SpeedStep, Intel StrataFlash, Intel Viiv, Intel XScale, Itanium, MMX, Paragon, PDCharm, Pentium, and Xeon are trademarks or registered trademarks of Intel Corporation or its subsidiaries in the United States and other countries.

Learn how to use Intel Trade Marks and Brands correctly at <http://www.intel.com/intel/legal/tmusage2.htm>.



Product Change Notification

Change Notification #: 106766 - 02
Change Title: Optical Networking Division, Ethernet Phy, MAC, Framers,T1/E1,Legacy Phy and Framers - Product Marking and Packaging Change, PCN 106766-02, Product Marking, Reason for Revision: Update Product Mark Examples
Date of Publication: October 12, 2006

Key Characteristics of the Change:

Product Marking

Forecasted Key Milestones:

Date Customer Must be Ready to Receive Post-Conversion Material:	Oct 25, 2006
---	--------------

Description of Change to the Customer:

Reason for Revision: Update Product Mark Examples

In line with the recent sale of Intel's optical networking component product lines, Intel is announcing a product mark, packaging material and label change.

The Intel Corporation logo will be replaced by the Cortina Systems, Inc., logo. Current Product Code, S-Spec, and Material Master number (MM#) will not change.

As you have already been informed by your Intel Sales Representative, Intel will be providing detailed order transition steps through our customer communications in the mid-October timeframe for a smooth order conversion from Intel to Cortina. This communication will provide key dates, such as Cortina First Order Date, Intel Last Ship Date, etc. The product mark and/or pack you receive is not aligned to your order dates, but is dependant on Intel/Cortina first shipping out all Intel marked products.

Customer Impact of Change and Recommended Action:

This change has no impact on form, fit, functionality, customer handling, manufacturability, or product quality. Intel does not anticipate impact to any customer applications.

Until inventory is depleted, customers may receive either Intel or Cortina product mark. Please refer to the reference documents below for label and mark examples.

Customers may want to notify their receiving department(s) for this change.

Products Affected / Intel Ordering Codes:

Product Code	S-Spec	MM#
NLXT914PC.B3		831504
NLXT914PC.B3	S E001	831507
NLXT914PE.B3		831518
NLXT914PE.B3	S E001	831520
SLXT914QC.B3		831521
SLXT914QC.B3	S E001	831523
SLXT915QC.B3		831529
SST10043QC.B11		831616
HBLXT974BHC.A8		831627
HBLXT975BHC.A8		831630
SLXT970AQC.B11		831643
DJLXT905LC.C2		831645
DJLXT905LE.C2		831646
DJLXT907ALC.A4		831647
DJLXT908LC.A4		831651
DJLXT908LE.A4		831652
NLXT901APC.A4		831653
NLXT901PC.E2		831657
NLXT905PC.C2		831661
NLXT905PE.C2		831662
NLXT907APC.A4		831664
NLXT907PC.E2		831666
NLXT908PC.A4		831668
NLXT908PE.A4		831669
DJLXT901ALC.A4		831684
DJLXT901LC.E2		831686
SLXT915QC.B3	S E001	831709
HBLXT975BHC.A8	S E001	831746
SLXT970AQC.B11	S E001	831765
SST10043QC.B11	S E001	831767
HBLXT974BHC.A8	S E001	831777
DJLXT901ALC.A4	S E001	831801
DJLXT901LC.E2	S E001	831803
DJLXT905LC.C2	S E001	831804
DJLXT905LE.C2	S E001	831805
DJLXT907ALC.A4	S E001	831806

Product Code	S-Spec	MM#
DJLXT908LC.A4	S E001	831809
DJLXT908LE.A4	S E001	831810
NLXT901APC.A4	S E001	831811
NLXT901PC.E2	S E001	831813
NLXT905PC.C2	S E001	831817
NLXT905PE.C2	S E001	831818
NLXT907APC.A4	S E001	831820
NLXT907PC.E2	S E001	831822
NLXT908PC.A4	S E001	831824
NLXT908PE.A4	S E001	831825
DJLXT360LE.A2		832029
DJLXT360LE.A2	S E001	832031
DJLXT361LE.A2		832034
DJLXT361LE.A2	S E001	832035
FLLXT381BE.B4		832063
FLLXT381BE.B4	S E001	832064
NLXT360PE.A2		832100
NLXT360PE.A2	S E001	832101
NLXT361PE.A2		832102
NLXT361PE.A2	S E001	832117
NLXT332PE.G2		832128
NLXT332PE.G2	S E001	832129
NLXT350PE.A2		832138
NLXT350PE.A2	S E001	832140
NLXT351PE.A2		832141
NLXT351PE.A2	S E001	832150
NST10027PE.G2		832151
NST10027PE.G2	S E001	832155
SLXT360QE.A2		832197
SLXT360QE.A2	S E001	832198
SLXT361QE.A2		832199
SLXT361QE.A2	S E001	832200
SLXT332QE.G2		832211
SLXT332QE.G2	S E001	832212
SLXT350QE.A2		832244
SLXT350QE.A2	S E001	832245
DJLXT380LE.B4		832251
DJLXT380LE.B4	S E001	832252
DJLXT381LE.B4		832255
DJLXT381LE.B4	S E001	832256
PDLXT312ANE.A2		832288
PDLXT315ANE.A2		832291
PDLXT322ANE.A2		832295
FLLXT380BE.B4		832318
FLLXT380BE.B4	S E001	832319
FALXT970ATC.B11		833825
FALXT970ATC.B11	S E001	833826

Product Code	S-Spec	MM#
FLLXT971ABC.A4		834103
FLLXT971ABE.A4		834104
DJLXT971ALC.A4		834105
DJLXT972ALC.A4		834109
NST10056PE.E2		834134
DJLXT386LE.B2		834195
DJLXT388LE.B2		834197
DJLXT388LE.B2	S E001	834198
FLLXT386BE.B2	S E001	834205
FLLXT386BE.B2		834206
DJLXT971ALC.A4	S E001	834916
DJLXT972ALC.A4	S E001	834917
FLLXT971ABC.A4	S E001	834926
FLLXT971ABE.A4	S E001	835080
NST10056PE.E2	S E001	835091
DJLXT386LE.B2	S E001	835116
NST10055PE.A1	S E001	835609
NST10055PE.A1		835661
DJLXT971ALE.A4		835676
DJLXT971ALE.A4	S E001	835791
FLLXT384BE.B1		835792
DJLXT385LE.B1		835806
DJLXT384LE.B1		835827
FLLXT384BE.B1	S E001	835903
DJLXT384LE.B1	S E001	836344
DJLXT385LE.B1	S E001	836345
SLXT973QC.A2		841539
SLXT973QE.A2		841540
SLXT973QE.A2	S E001	842053
SLXT973QC.A2	S E001	842054
FLLXT385BE.B1		842873
FLLXT385BE.B1	S E001	843141
HBLXT9785HC.B2		844582
HBLXT9785EHC.C2		847639
HBLXT9785HC.C2		847641
HBLXT9785HE.C2		847643
FWLXT9785BC.C2		847646
FWLXT9785EBC.C2		847653
HBST10080HC.C2	S E001	847660
FLLXT3108BE.B3		848842
FLLXT3104BE.B3		849117
FLIXF3208BE.C0		849763
DJLXT6155LE.B5		849900
FLIXF3204BE.C0		850086
FWLXT9785BC.C2V		850117
DJLXT6155LE.B5	S E001	850143
FWLXT9785EBCC2V	S E001	850272
FWLXT9785EBCC2V		850273

Product Code	S-Spec	MM#
HBLXT9785EHCC2V	S E001	850274
HBLXT9785EHCC2V		850275
HBLXT9785HCC2V		850276
HBLXT9785HEC2V	S E001	850279
FWLXT9785BCC2V	S E001	850305
HBST10080HCC2V		850306
HBST10080HCC2V	S E001	850307
HBLXT9785HCC2V	S E001	850310
HBLXT9785HEC2V		850318
HBLXT9785EHCC3V	S E001	851579
HBLXT9785EHCC3V		851582
SLXT973QE.A3		851727
SLXT973QC.A3		851728
GCIXF18101EE.B0		853146
GCIXF18102EE.B0		853147
GCIXF18103EE.B0		853148
GCIXF18104EE.B0		853149
FWLXT9785EBC.D0		853300
FWLXT9785EBC.D0	S E001	853304
FWLXT9785BC.D0		853308
FWLXT9785BC.D0	S E001	853312
HBLXT9785EHC.D0		853334
HBST10080HC.D0		853341
HBST10080HC.D0	S E001	853342
HBLXT9785HC.D0		853353
HBLXT9785HC.D0	S E001	853355
HBLXT9785HE.D0		853357
HBLXT9785HE.D0	S E001	853363
HFIXF1104CE.B0		853714
HBLXT9785EHC.D0	Q E100	854367
GDLXT9785MBC.D0		854705
GDLXT9785MBC.D0	S E001	854707
HFIXF1010CC.B1	Q E000	855532
HFIXF1110CC.B1	Q E000	855533
HFST11060CC.B1	Q E000	855534
SLXT973QCA3V	Q E000	856675
SLXT973QEA3V	Q E000	856679
SLXT973QEA3V	S E001	856754
SLXT973QCA3V	S E001	856758
SLXT973QCA3V		856775
SLXT973QEA3V		856805
HLWB4500.A0	Q E000	857101
WJLXT972ALC.A4		857341
WJLXT971ALC.A4		857342
WJLXT971ALE.A4		857343
WJLXT971ALC.A4	S E001	857344
WJLXT972ALC.A4	S E001	857345
WJLXT971ALE.A4	S E001	857346
SLXT6234QE.B0		857361

Product Code	S-Spec	MM#
HFIXF1110CC.B2	Q E000	859026
HFST11060CC.B2	Q E000	859854
HFIXF1010CC.B2		860741
HFST11060CC.B2		860742
HFIXF1110CC.B2		860817
HLWB4500.B0		861182
HLIXF25300BE.A1		862139
FLWB1400.C1		862140
FLWB1500.C1		862141
FLWB1501.C1		862142
FLWB1510.C1		862143
WJLXT905LC.C2	S E001	863532
WJLXT905LE.C2		863533
WJLXT905LE.C2	S E001	863534
WJLXT905LC.C2		863540
WJLXT972MLC.A4	S L7U9	864101
WJLXT972MLC.A4		864115
DJLXT972MLC.A4		864768
DJLXT972MLC.A4	S L7VE	864769
DJLXT972MLC.A4	Q 945	864812
WBLXT9785EHC.D0		865110
WBLXT9785EHC.D0	S L7WJ	865111
WBLXT9785HC.D0		865112
WBLXT9785HC.D0	S L7WK	865113
WBLXT9785HE.D0		865114
WBLXT9785HE.D0	S L7WL	865115
WBLXT9785HCC2V		865116
WBLXT9785HCC2V	S L7WM	865117
LULXT9785MBC.D0	S L7WN	865118
PRLXT9785EBC.D0		865125
PRLXT9785BC.D0		865126
PRLXT9785BC.D0	S L7WP	865127
PRLXT9785EBC.D0	S L7WQ	865129
PRLXT9785BCC2V		865130
PRLXT9785BCC2V	S L7WR	865132
LULXT9785MBC.D0		865133
WBLXT9785EHCC2V		865136
WBLXT9785EHCC2V	S L7X6	865137
WBLXT9785HEC2V	S L7X7	865138
WBLXT9785HEC2V		865139
WBST10080HC.D0		865158
WBST10080HC.D0	S L7X8	865162
WBST10080HCC2V	S L7X9	865163
WBST10080HCC2V		865164
PRLXT9785EBCC2V		865165
PRLXT9785EBCC2V	S L7XA	865166
GCIXF19301EE.B0	Q E000	865233
EELXT914PE.B3		865794
EELXT914PC.B3		865795

Product Code	S-Spec	MM#
EELXT914PC.B3	S E001	865796
EGLXT914QC.B3		865797
EGLXT914QC.B3	S E001	865798
EGLXT915QC.B3		865801
EELXT914PE.B3	S E001	865802
EGLXT915QC.B3	S E001	865803
WJLXT908LE.A4		865811
WJLXT908LE.A4	S E001	865812
WJLXT908LC.A4	S E001	865813
WJLXT901ALC.A4		865818
WJLXT901ALC.A4	S E001	865823
WJLXT907ALC.A4	S E001	865832
WJLXT6155LE.B5		866255
WJLXT6155LE.B5	S E001	866256
WJLXT360LE.A2	S E001	866314
WJLXT361LE.A2		866315
WJLXT361LE.A2	S E001	866316
EELXT350PE.A2		866326
EELXT350PE.A2	S E001	866327
EELXT351PE.A2		866407
EELXT351PE.A2	S E001	866408
WJLXT360LE.A2		866437
WJLXT908LC.A4		866864
WJLXT907ALC.A4		867253
ELLXT384BE.B1		867808
ELLXT384BE.B1	S E001	867810
ELLXT385BE.B1		867811
ELLXT385BE.B1	S E001	867812
ELLXT386BE.B2		867813
ELLXT386BE.B2	S E001	867814
EELXT360PE.A2		868068
EELXT360PE.A2	S E001	868071
EELXT361PE.A2	S E001	868074
EELXT361PE.A2		868101
FLLXT3104BE.B3	S L89C	868121
EEST10055PE.A1		868238
GCIXF18105EC.A		868355
UCLXT312ANE.A2		868448
UCLXT322ANE.A2		868449
UCLXT315ANE.A2		868450
WJLXT386LE.B2		868452
WJLXT386LE.B2	S E001	868453
WJLXT388LE.B2		868454
WJLXT388LE.B2	S E001	868455
WJLXT380LE.B4	S E001	868631
WJLXT381LE.B4		868633
WJLXT381LE.B4	S E001	868634
WJLXT384LE.B1		868635
WJLXT384LE.B1	S E001	868636

Product Code	S-Spec	MM#
WJLXT385LE.B1		868637
WJLXT385LE.B1	S E001	868695
WJLXT380LE.B4		868697
GCIXF18201EC.A1		868793
HLIXF25300BE.B0		869121
ELLXT3108BE.B3	S L8CJ	869450
ELLXT3104BE.B3	S L8D2	869451
ELLXT971ABC.A4		870477
ELLXT971ABC.A4	S L8GQ	870478
ELLXT971ABE.A4		870479
ELLXT971ABE.A4	S L8GR	870480
GCIXF1024EC.A2		870481
GCIXF19302EE.B0	Q E000	870707
GCIXF19303EE.B0	Q E000	870708
GCIXF19325EE.B0	Q E000	870710
WFIXF1104CE.B0		870726
EELXT907PC.E2	S E001	871088
EELXT907PC.E2		871093
WFIXF1010CC.B2		871327
WFIXF1110CC.B2		871328
WFST11060CC.B2		871329
GCIXF1012EC.A2		871359
WBLXT974BHC.A8	S L8KF	871432
WBLXT975BHC.A8		871482
WBLXT974BHC.A8		871486
EELXT908PE.A4		871620
EELXT908PE.A4	S L8L4	871622
EELXT907APC.A4		871623
EELXT908PC.A4		871624
EELXT908PC.A4	S L8L7	871625
EELXT907APC.A4	S L8L6	871630
EELXT332PE.G2		871662
EELXT332PE.G2	S L8L8	871664
EEST10027PE.G2		871665
EEST10027PE.G2	S L8L9	871667
EGLXT332QE.G2		871669
EGLXT332QE.G2	S L8LA	871671
EELXT905PC.C2		871672
EELXT905PC.C2	S L8LB	871673
EELXT905PE.C2		871675
EELXT905PE.C2	S L8LC	871676
ELIXF3204BE.C0		871983
ELIXF3208BE.C0		872004
WBLXT975BHC.A8	S L8NK	872033
EELXT901PC.E2	S L8NL	872034
EELXT901PC.E2		872044
EELXT901APC.A4	S L8L5	872161
EELXT901APC.A4		872162
EGLXT973QEA3V	S E001	873108

Product Code	S-Spec	MM#
JALXT970ATC.B11	S E001	873109
JALXT970ATC.B11		873111
EGLXT970AQC.B11		873112
EGST10043QC.B11		873113
EGLXT973QCA3V	S E001	873168
EGLXT973QCA3V		873178
EGLXT970AQC.B11	S E001	873179
EGST10043QC.B11	S E001	873180
EGLXT973QEA3V		873181
HPIXF1104BE.B0		874579
EEST10055PE.A1	S L8UQ	874907
KIXF1104LXT1145		875157
GCIXF1024EC.A3	Q E000	875964
GCIXF18203EC.B1	Q E000	875969
ELWB1400.C1		876123
ELWB1500.C1		876124
ELWB1501.C1		876125
ELWB1510.C1		876126
WPWB4500.B0		876128
WPIXF25300BE.B0	Q E000	876211
GCIXF19301EE.B1	Q 569	879982
GCIXF19302EE.B1	Q 570	879983
GCIXF19325EE.B1	Q 572	879984
GCIXF19303EE.B1	Q 571	879985
GCIXF18103LEE.B0		880096
GCIXF18105EC.B1	Q E000	881525
EEST10055PE.A1	S L9DS	881692
WDLXT9880AGE.A6		882104
WDLXT9880AGE.A6	S E001	882113
WBLXT9860AHC.A6		882115
WBLXT9860AHC.A6	S E001	882116
WBLXT9863AHC.A6		882119
WBLXT9880AHC.A6		882123
WBLXT9880AHC.A6	S E001	882124
WBLXT9883AHC.A6	S E001	882247
WBLXT9883AHC.A6		882257
WBLXT9863AHC.A6	S E001	882259
GCIXF1012EC.A3	Q E000	883832
EGLXT6234QE.B0		883906
WPIXF1104BE.B0		883991
QCIXF1024EC.A3	Q E000	883993
GCIXF18203EC.B1		884471
GCIXF18105EC.B1		884472
QCIXF1024EC.A2		884497
GCIXF1012EC.A3		884560
GCIXF1024EC.A3		884561
QCIXF1024EC.A3		884611
QCIXF1012EC.A2		884614
QCIXF1012EC.A3		884615

Product Code	S-Spec	MM#
WPIXF1104BE.B0	Q E000	885094
GCIXF19301EE.B0		885095
GCIXF19302EE.B0		885096
GCIXF19303EE.B0		885097
GCIXF19325EE.B0		885098
GCIXF19301EE.B1		885703
GCIXF19303EE.B1		885705
GCIXF19302EE.B1		885706
GCIXF19325EE.B1		885707
WPIXF25300BE.B0		885974
GCIXF18201EC.B1		886340
TLIXF30025		850332
TLIXF30007		852838
TLIXF30005		854060
TLIXF30009		865852
TLIXF30011		865853
TLIXF30010		865854
SSIXF30005	Q 396	875250
SSIXF30007	Q 397	875251
SSIXF30009	Q 398	875252
SSIXF30010	Q 399	875253
SSIXF30011	Q 400	875263
SSIXF30025	Q 402	875264

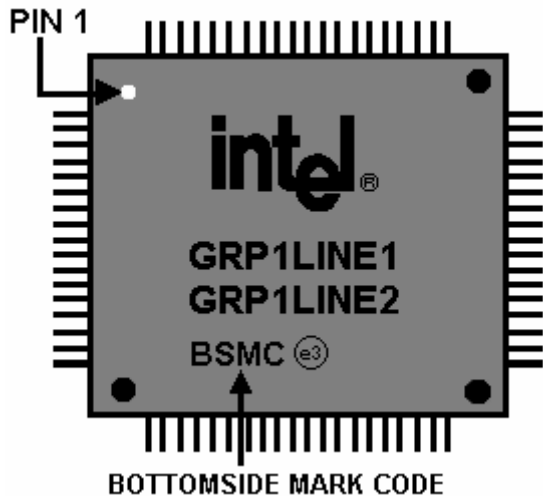
Reference Documents / Attachments:

Document:

Location #:

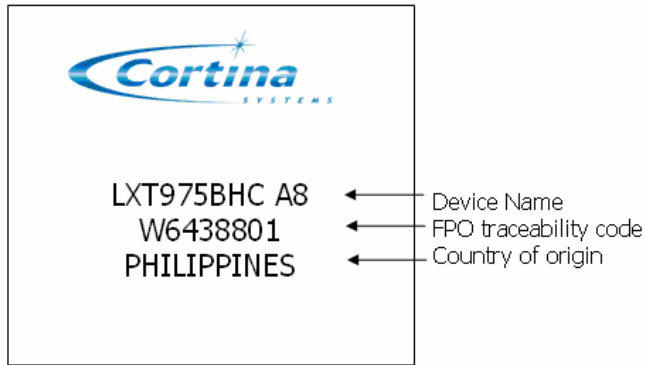
Product Top Side Mark

Example of current Intel mark

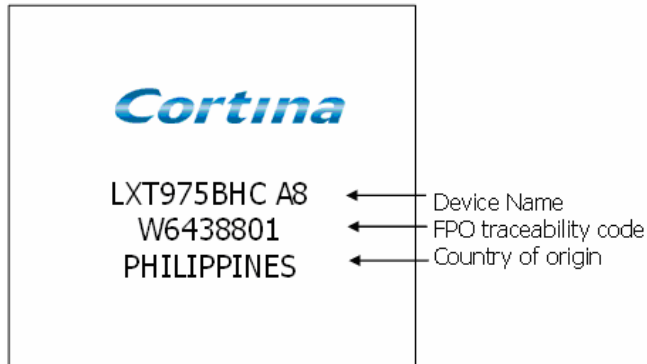


Product Top Side Mark

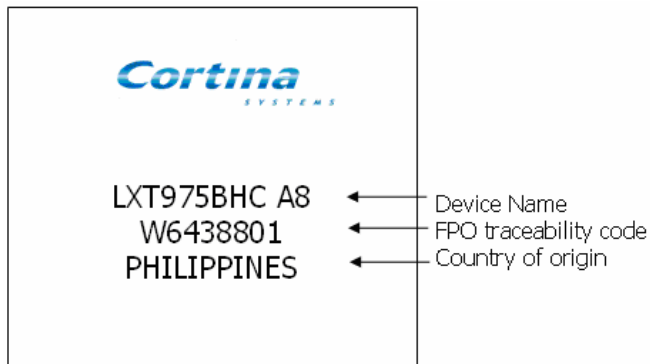
New Mark Example A



New Mark Example B

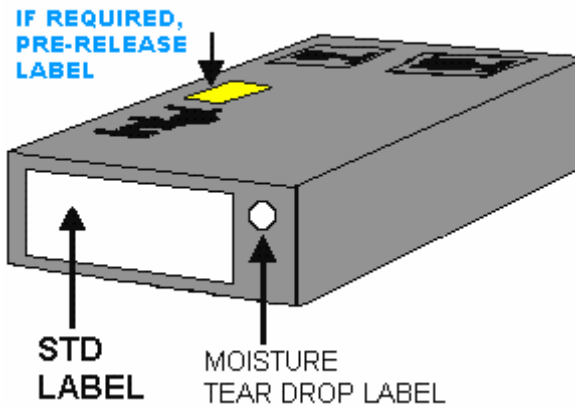


New Mark Example C

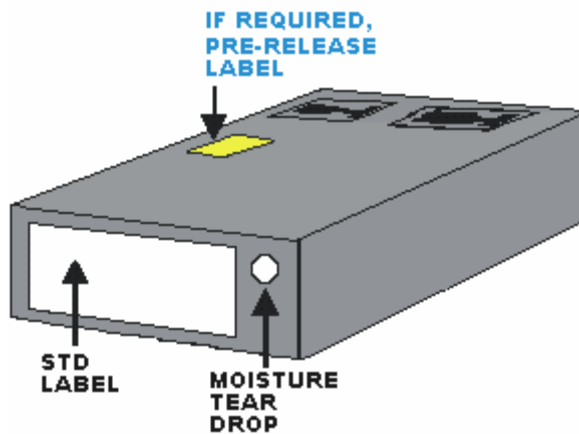


Intermediate Box Examples

Current Intermediate Box – Intel Logo



New Intermediate Box - No Logo



Reference Documents / Attachments:

Document:

Location #:

PCN Revision History:

Date of Revision:

Revision Number:

Reason:

September 26, 2006

00

Originally Published PCN

September 29, 2006

01

Correcting Intermediate Box Label Information

October 12, 2006

02

Update Product Mark Examples